

Trak Pole Trailer



- ✓ Extendable Pole Trailer
- ✓ Approximate Payload 28,500 lbs
- ✓ 38'-2" Length - Extendable to 56'
- ✓ 95" Overall Width Max x 42" Deck Height
- ✓ Camso 30k or 35k Capacity Tracks
- ✓ Suspension Track width up to 25"
- ✓ 12,000 lbs Jack/Landing Gear
- ✓ 14" Wide Flange Rear Deck Main Beams
- ✓ 8" and 10" Telescopic Tubes with Rollers
- ✓ Bolsters and Raised Stanchion Rails
- ✓ Winches, Nylon Straps with Chains and Hooks
- ✓ Forward Storage Area
- ✓ Optional Rear Extension - 8'
- ✓ Adjustable Pintle Draw Eye

Dedicated to manufacturing quality equipment to make our customers' lives easier. Imagine what Ledwell can do for you.



www.percorentals.com
866.656.7873

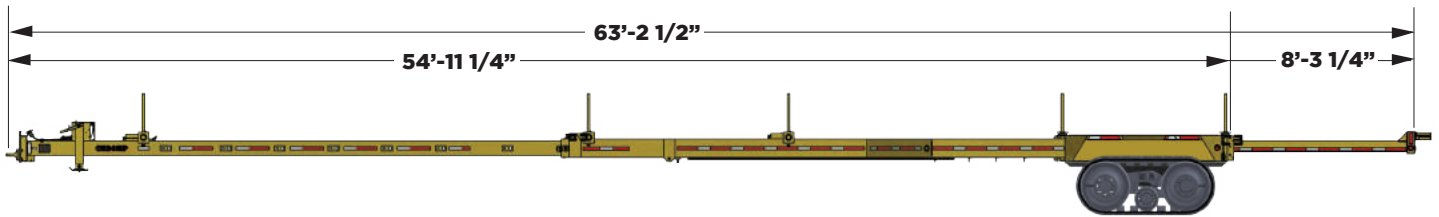
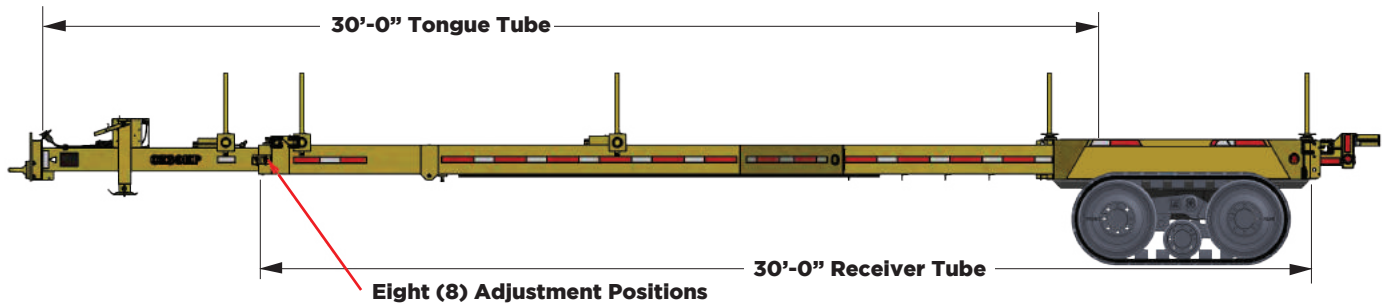
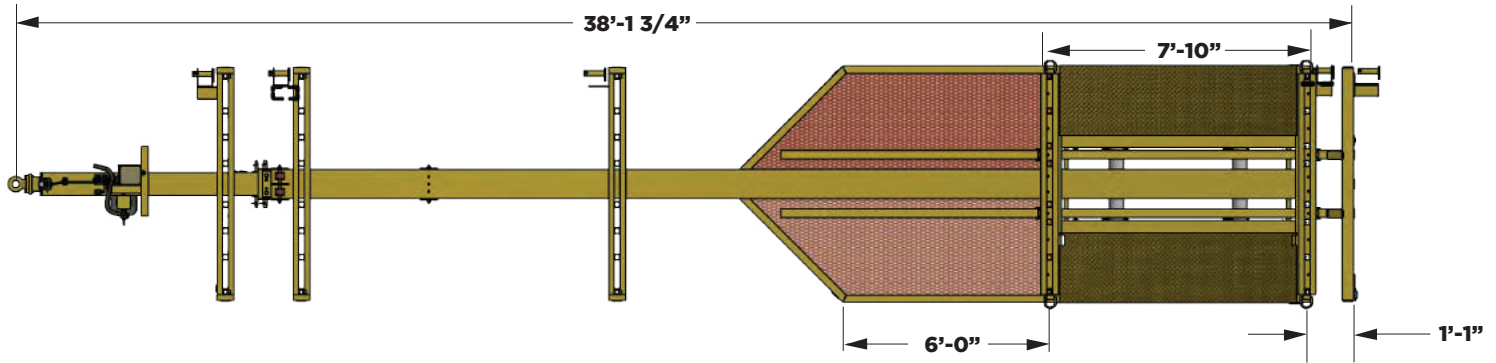


Not just well made, **LEDWELL MADE.**



Texarkana, TX | ledwell.com
sales@ledwell.com | 888.533.9355

Trak Pole Trailer



www.percorentals.com
866.656.7873



Not just well made, **LEDWELL MADE.**



Texarkana, TX | ledwell.com
sales@ledwell.com | 888.533.9355